

We are so happy you chose a
hama product.

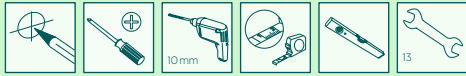
Enjoy using it!

hama



Quick Installation Guide

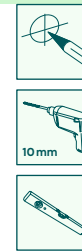
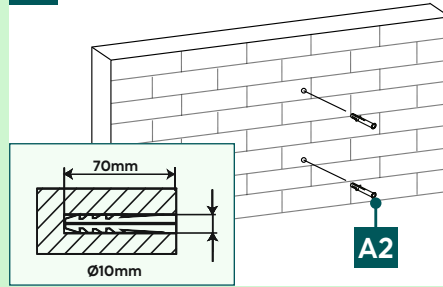
Required tools



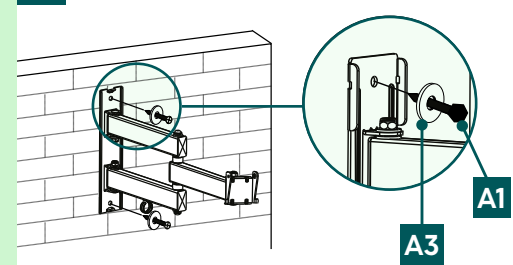
Installation kit

A1		D2	
A2		D3	
A3		D4	
B1		E1	
B2		E2	
B3		F1	
C1		F2	
C2		F3	
D1		F4	

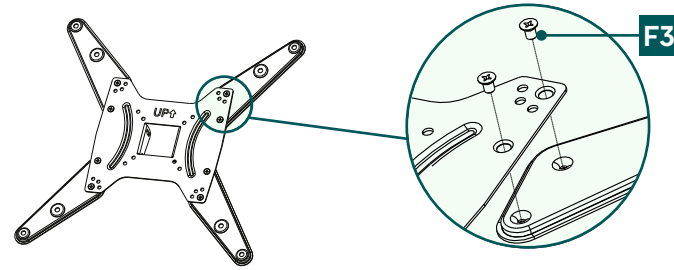
1a Drilling the holes



1b Wall mounting the bracket

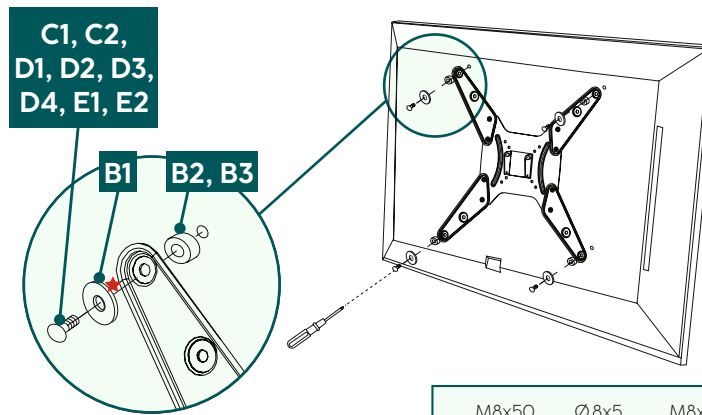


2 Tighten the screws



VESA 300x300, 400x400

3 Mounting on backside of the TV



Flat TV backside

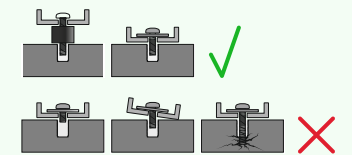
C1, D1, D4, E1 + B1

Curved TV backside

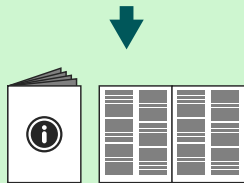
C2, D2, D4, E2 + B1 + B2

D3, D4 + B3

★ You do not need a washer for the D-screws

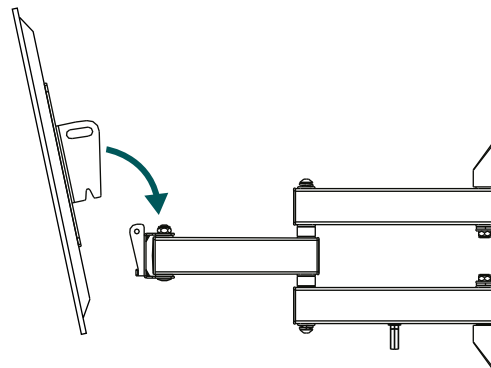


Do you need more help?

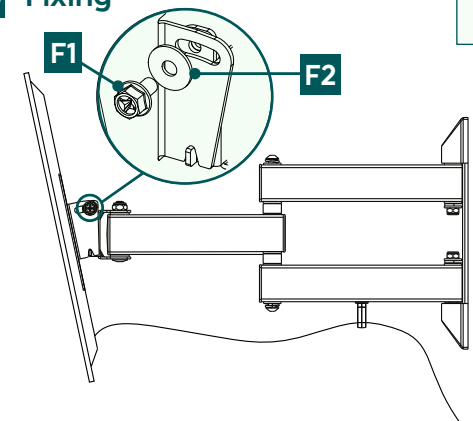


Scan QR or visit: www.hama.com
 ➔ Q ➔ 00220824 ➔ Downloads

4a Adjustment



4b Fixing



21
PAP
Raccolta Carta